

# C-Clamp Encoder

## Versatile Waterproof Wheel Encoder



The C-Clamp Encoder is a universal accessory for single axis inspections requiring no tools for setup and operation. The two clamping arms adjust up to 55mm separation to fit around a broad range of ultrasonic transducers and phased array wedges.

C-Clamp Encoder with phased array probe and wedge

### Features

- Clamp width: Max opening 55mm
- Encoder wheel diameter: 39mm
- Encoder Resolution: 32.8 steps/mm
- Waterproof: IP68 rated (immersion up to 1m)
- Adjustable encoder spring-loaded
- Can be positioned at 0° & 90° (for B & D scans)
- Termination options available for any manufacturers instrumentation

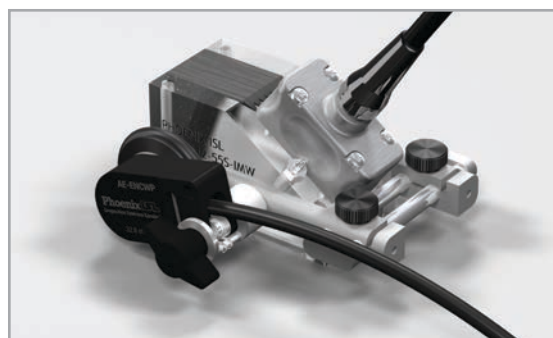
The C-Clamp Encoder arms can be quickly adjusted to the transducer or wedge width and then locked and clamped with thumbscrews. The waterproof wheel encoder is then fitted either behind or alongside the clamp dependent upon the inspection needs. The encoder is spring loaded onto the surface with the spring tension adjustable via the attachment thumb screw.

This simple and versatile encoding device is ideal for single-axis manual phased array inspections including:

- Pipe and vessel welds
- Bolt hole crack detection
- Linear array corrosion mapping
- B and D scans



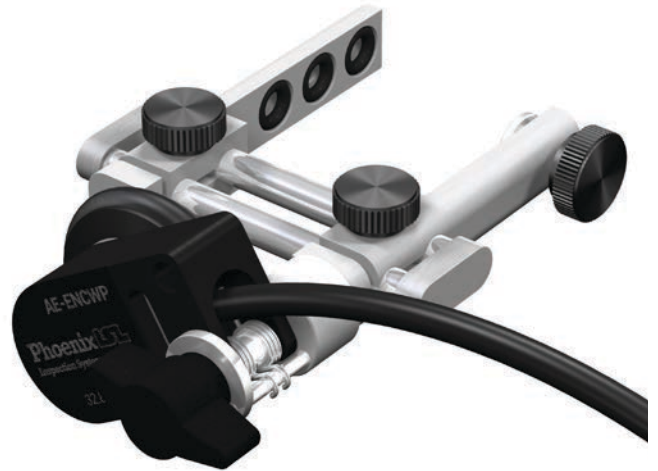
C-Clamp with rear mounted encoder and phased array probe and wedge



C-Clamp with side mounted encoder and phased array probe and wedge

## Benefits

- **Simple:** Economical solution that requires no tools to set up
- **Precise:** High resolution encoded scans for single axis applications
- **Versatile:** Fully adjustable for any transducer or wedge up to 55mm wide
- **Strong clamp mechanism** ensures no lateral movement of encoder when scanning
- Encoder is offset from the inspection area to reduce the risk of the wheel skidding on couplant
- **Waterproof**
- Adjustable spring loading guarantees encoder always stays in contact with inspection surface
- Compact design allows use in areas with limited access
- Can be used with any instrumentation



C-Clamp Encoder

## Accessories



Phased array probes and wedges



Phased array calibration block

## Standard Kit

- Encoder with 2.5m cable
- Universal clamp system
- Protective Case



## Scan

For more information and video of the C-Clamp Encoder:

